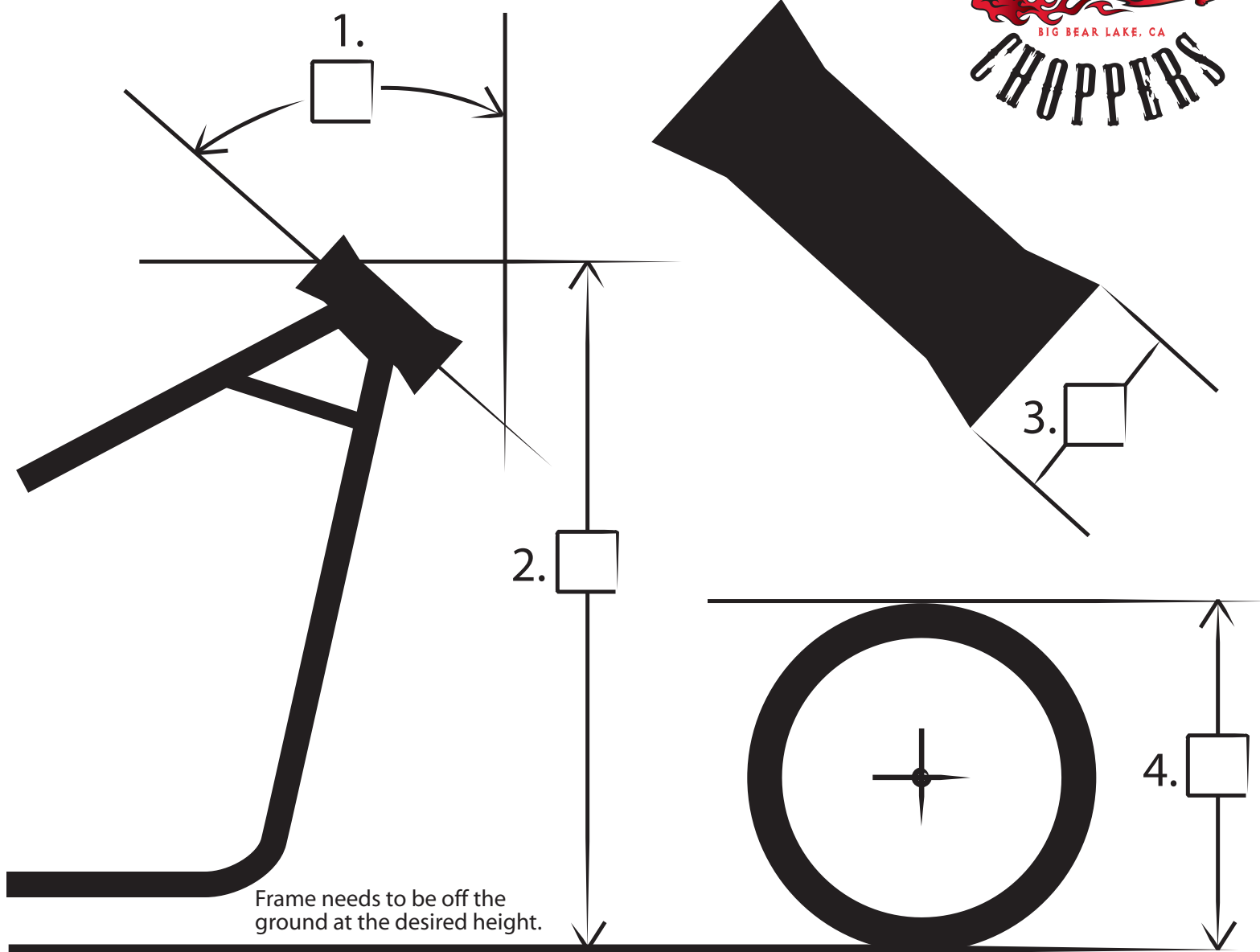


BBC SPRINGER ORDER FORM

909.878.4340 phone
909.878.4341 fax



1. Frame neck rake

2. Neck height to ground

DO NOT MEASURE THIS WITH YOUR FRAME ON THE GROUND.
Make sure your bottom rails are parallel to the ground with your rear wheel installed.

3. Neck tube or bearing cup diameter

4. Overall diameter of front wheel

Your Signature _____

Print Name _____

Your Phone _____

By signing your name to the left you're telling us that you understand you are responsible for all information written on this form. And that you understand you loose approx. 50% braking on a long springer (anything more than 10" over) compared to a traditional hydraulic frontend. It is suggested you use your BBC springer for show as opposed to riding.